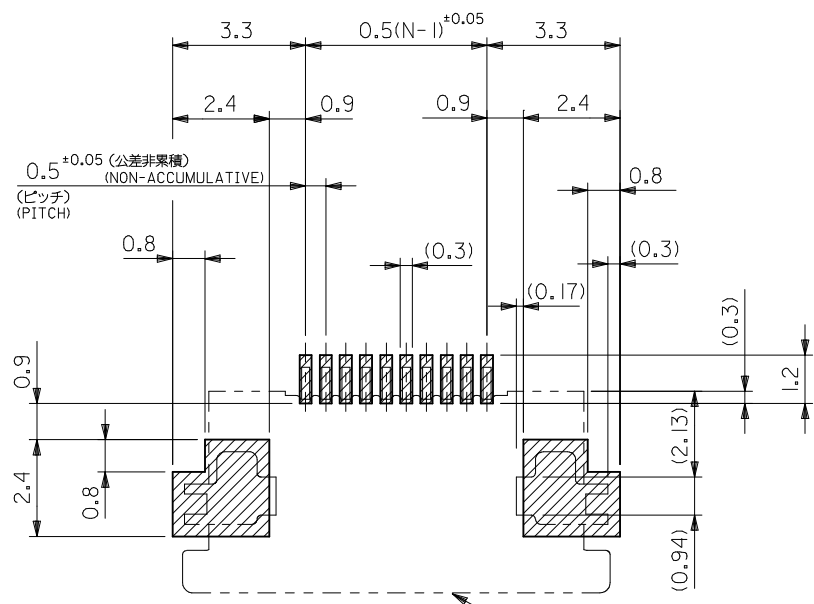
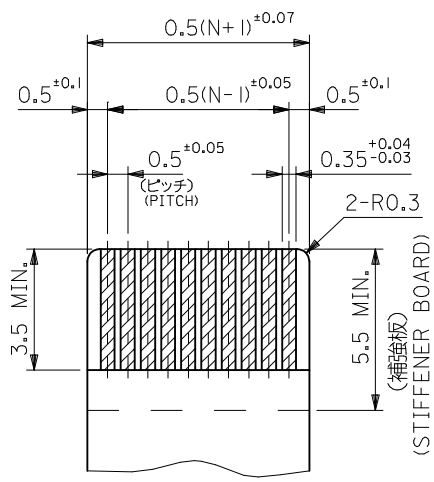


30.5	29.3	25.65	24.5	54132-5097	54132-5039	50
28.0	26.8	23.15	22.0	△ -4597	△ -4539	45
27.0	25.8	22.15	21.0	△ -4397	△ -4339	43
25.5	24.3	20.65	19.5	△ -4097	△ -4039	40
24.5	23.3	19.65	18.5	△ -3897	△ -3839	38
23.5	22.3	18.65	17.5	△ -3697	△ -3639	36
23.0	21.8	18.15	17.0	△ -3597	△ -3539	35
22.5	21.3	17.65	16.5	△ -3497	△ -3439	34
22.0	20.8	17.15	16.0	△ -3397	△ -3339	33
21.5	20.3	16.65	15.5	△ -3297	△ -3239	32
20.5	19.3	15.65	14.5	54132-3097	54132-3039	30
D	C	B	A	EMBOSSED TAPE ORDER No. オーター番号	MATERIAL. NO.	CKT.

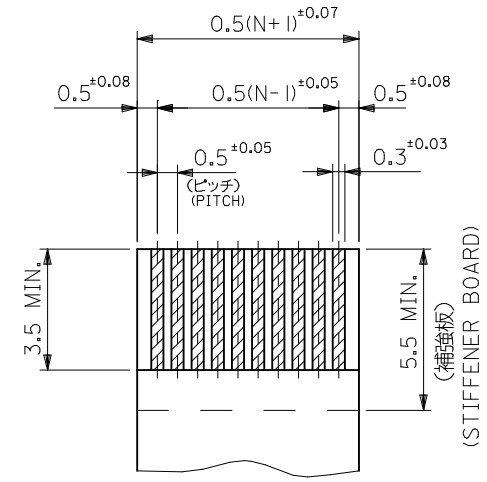
REVISED EC NO: J2008-4308 DRWN:MMABEI 2008/06/27 CHKD:THARUYAMA 2008/06/30 APPR:NIKI ITA 2008/06/30	GENERAL TOLERANCES (UNLESS SPECIFIED)		DIMENSION STYLE MM ONLY		SCALE ---	54132-***39	MODEL NO.	
	10 UNDER	±0.2	DRAWN BY M. NABEI	DATE '03/12/15	DESIGN UNITS METRIC			THIRD ANGLE PROJECTION
	10 OVER 30 UNDER	±0.25	CHECKED BY M. SASAO	DATE '03/12/15	0.5 FPC CONN ZIF HOUSING ASSY FOR SMT -LEAD FREE-			
	30 OVER	±0.3	APPROVED BY M. SASAO	DATE '03/12/15	MOLEX INCORPORATED			
DESCRIPTION	ANGULAR ±3 °	DRAFT WHERE APPLICABLE MUST REMAIN WITHIN DIMENSIONS		MATERIAL NO.	DOCUMENT NO.	SHEET NO.		
REV	SIZE A3		SEE TABLE				SD-54132-060	
				THIS DRAWING CONTAINS INFORMATION THAT IS PROPRIETARY TO MOLEX INCORPORATED AND SHOULD NOT BE USED WITHOUT WRITTEN PERMISSION				1 OF 2



参考基板レイアウト  
RECOMMENDED PC BOARD PATTERN DIMENSION(REF.)



適合FPC推奨寸法  
APPLICABLE FPC RECOMMENDED DIMENSION



適合FFC推奨寸法  
APPLICABLE FFC RECOMMENDED DIMENSION

注記  
NOTES

1. 使用材料  
MATERIAL : 46ナイロン, UL94V-0  
HOUSING : 46NYLON  
アクチュエーター  
ACTUATOR : PPS, UL94V-0  
ターミナル  
TERMINAL : リン青銅 (t=0.2), 鍍・ピスマスメッキ 1.0~3.0 MICRO METER MIN.  
ニッケル下地 1.0~3.0 MICRO METER MIN.  
PHOS-BRO,TIN-BISMUTH-PLATE 1.0~3.0 MICRO METER MIN.  
OVER NICKEL 1.0~3.0 MICRO METER MIN.  
金具  
FITTING NAIL : リン青銅 (t=0.2), 鍍メッキ 1.0~3.0 MICRO METER MIN.  
ニッケル下地 1.0~3.0 MICRO METER MIN.  
PHOS-BRO,TIN-PLATE 1.0~3.0 MICRO METER MIN.  
OVER NICKEL 1.0~3.0 MICRO METER MIN.

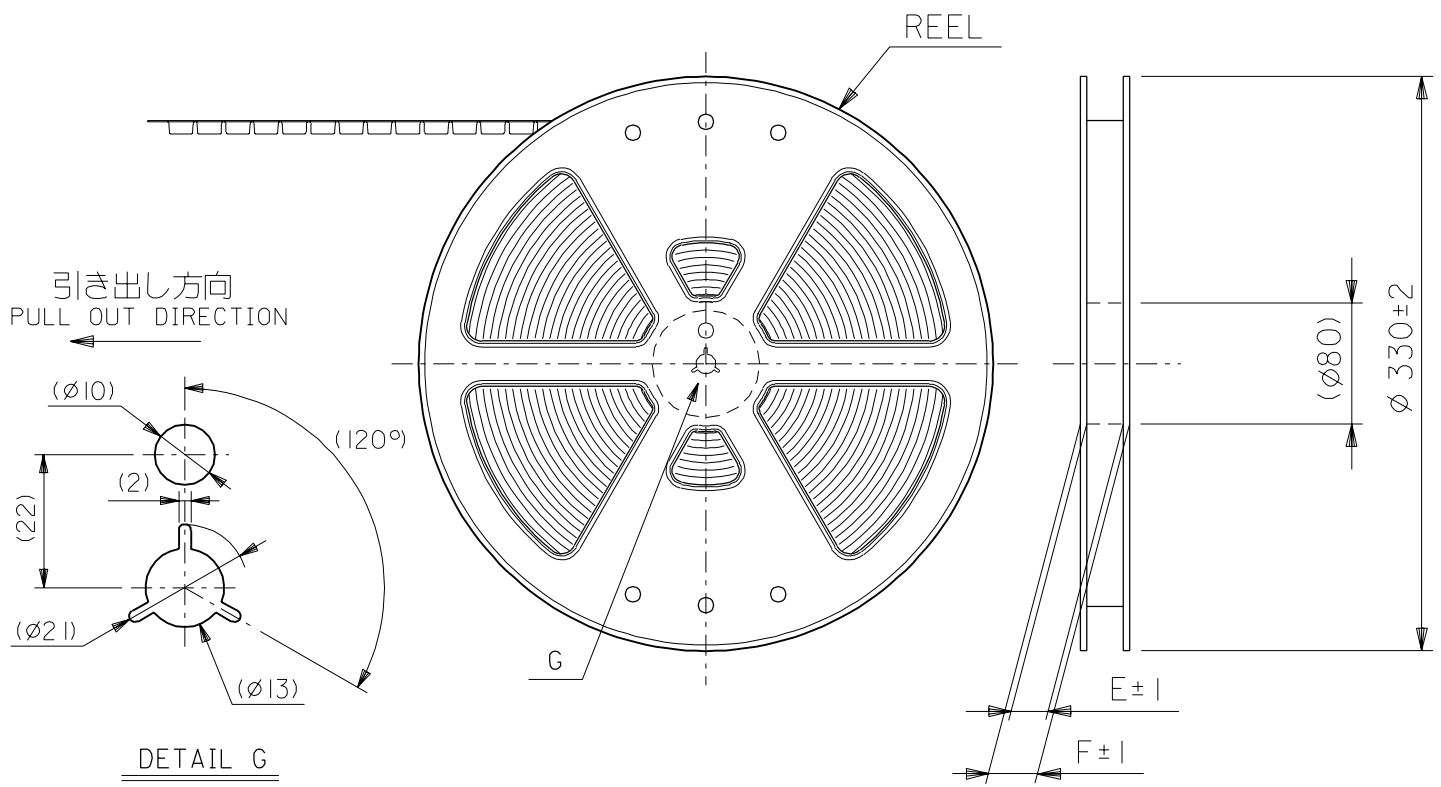
2. エンボステープ梱包時は、アクチュエーターがロックした状態とする。  
IN THE PACKAGE,ACTUATOR OF PART NO.54132-\*\*31 SHOULD BE LOCKED.
3. ソルダーテール半田付け面のスレ量、及び金具半田付け面のスレ量は、基準面 田に対し上方向0.1MAX.、下方向0.15MAX.とする。  
MISALIGNMENT OF SOLDER TAILS AND FITTING NAIL FROM UPPER DIRECTION:0.1MAX.,LOWER DIRECTION:0.15MAX.
4. 偶数個に適用  
APPLY FOR EVEN CIRCUIT.
5. パターンはくり止め用金具  
FITTING NAIL FOR PREVENTION OF PEELING OF P.C.B. PATTERN.
6. 本製品は54132-\*\*31の鉛フリー品である。  
THIS PRODUCT IS LEAD FREE OF 54132-\*\*31

FPC/FFCについて  
打抜き方向は導体側から補強板側を推奨いたします。  
導体部については軟銅箔35マイクロメートルまたは50マイクロメートル  
RECOMMENDED PUNCHER DIRECTION:  
FROM CONDUCTOR SIDE TO STIFFENER BOARD SIDE.  
RECOMMENDED CONDUCTOR SPEC.:  
THICKNESS OF SOFT COPPER FOIL:  
35 micrometer or 50 micrometer

54132-\*\*39 MODEL NO.

REVISED EC NO.: J2008-4308 DRWN:MNABEI 2008/06/17 CHKD:THARUYAMA 2008/06/30 APPR:NIKIITA 2008/06/30	GENERAL TOLERANCES (UNLESS SPECIFIED)		DIMENSION STYLE MM ONLY		SCALE ---	DESIGN UNITS METRIC	THIRD ANGLE PROJECTION
	10 UNDER	±0.2	DRAWN BY M. NABEI	DATE '03/12/15	TITLE 0.5 FPC CONN ZIF HOUSING ASSY FOR SMT -LEAD FREE-		
	10 OVER 30 UNDER	±0.25	CHECKED BY M. SASAO	DATE '03/12/15	MOLEX MOLEX INCORPORATED		
	30 OVER	±0.3	APPROVED BY M. SASAO	DATE '03/12/15	DOCUMENT NO. SD-54132-060	SHEET NO. 2 OF 2	
	ANGULAR ±3 °	DRAFT WHERE APPLICABLE MUST REMAIN WITHIN DIMENSIONS		SEE SHEET 1			
		THIS DRAWING CONTAINS INFORMATION THAT IS PROPRIETARY TO MOLEX INCORPORATED AND SHOULD NOT BE USED WITHOUT WRITTEN PERMISSION					

DWG. NO. SD-54132-061



NOTES

- 梱包数量：1500個/リール  
NUMBER OF CONNECTORS : 1500PCS/REEL
- リードテープ長さ LEAD TAPE LENGTH  
20PCS. MIN. トップテープ接着部 (空エンボス)  
TOP TAPE BONDED PART. (EMPTY)  
部品挿入部 COMPONENT SUPPLIER  
末端部 (空部) TAIL PART (EMPTY)  
400 MIN. 40 MIN.
- トップテープの剥離強度： 0.1N ~ 1.3N (10gf ~ 130gf)  
(剥離方向は下図参照)  
尚、本規格値は出荷時に適用。(但し、輸送時に剥離が発生しないこと。)  
PEELING OFF FORCE OF TOP TAPE : 0.1N ~ 1.3N (10gf ~ 130gf)  
(PEELING DIRECTION AS SHOWN IN FOLLOWING FIG.)  
THIS REQUIREMENT SHOULD BE APPLIED AT SHIPMENT.  
PEEL OFF SHOULD NOT BE ALLOWED , DURING TRANSPORTATION.



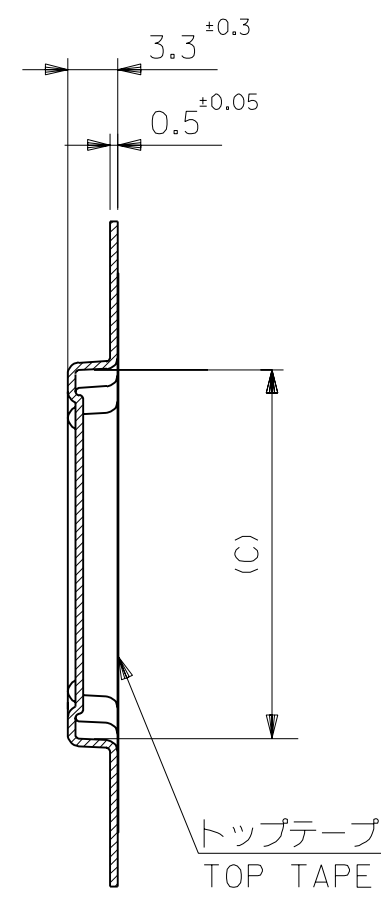
- 材料  
キャリアテープ：ポリプロピレン (PP)  
トップテープ：PET, PE, PEF  
リール：ポリスチレン (PS) <リサイクル材を含む>  
MATERIAL CARRIER TAPE: POLYPROPYLENE  
TOP TAPE: PET, PE, PEF  
REEL: POLYSTYRENE (PS)  
<RECYCLE MATERIAL CONTAINED>

6. 本製品は54132-\*\*-92の鉛フリー品である。  
THIS PRODUCT IS LEAD FREE OF 54132-\*\*-92

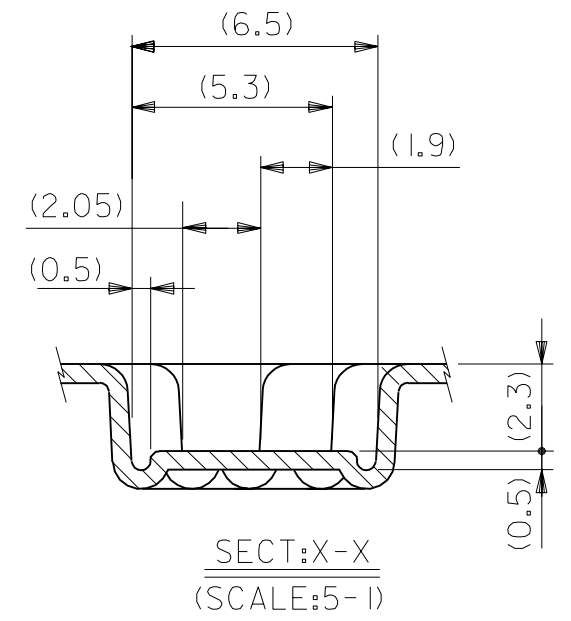
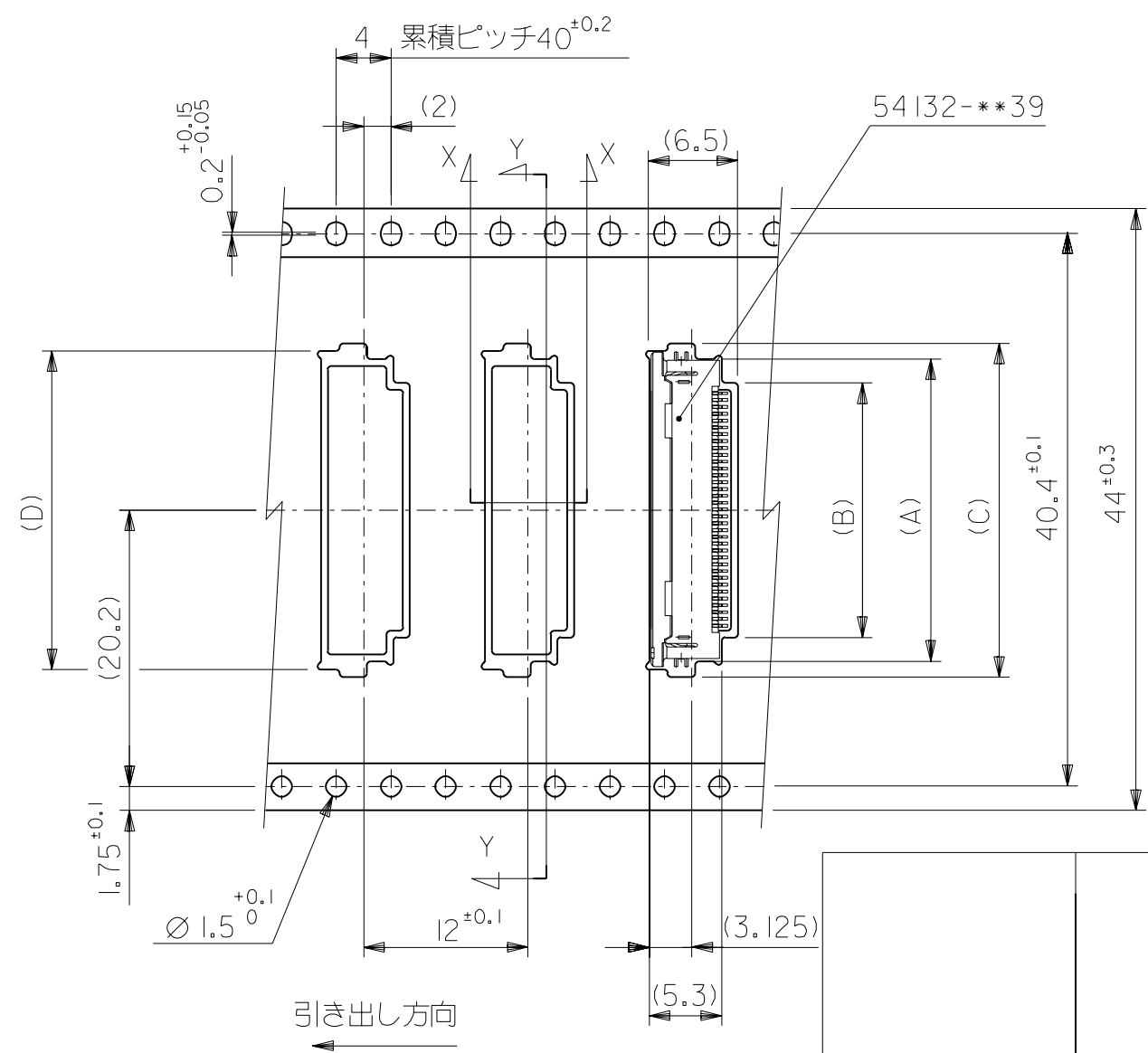
DO NOT SCALE DRAWING

EC NO. DRWN: CH'K: APPR:		EC NO. DRWN: CH'K: APPR:		EC NO. DRWN: CH'K: APPR:		REVISED EC NO. J2004-2790 DRWN: H. SHIMABUKURO '04/3/2 CH'K: K. TOJO '04/3/2 APPR: M. SASAO '04/3/2		RELEASED EC NO. J2004-1538 DRWN: M. NABEI '03/12/15 CH'K: M. SASAO '03/12/15 APPR: M. SASAO '03/12/15		MATERIAL 材料 注記参照 SEE NOTES		GENERAL TOLERANCES: (UNLESS SPECIFIED) 一般公差		SCALE //		DESIGN UNITS <input checked="" type="checkbox"/> mm <input type="checkbox"/> INCH		THIRD ANGLE PROJECTION <input checked="" type="checkbox"/> <input type="checkbox"/>		54132-**-97 MODEL NO.		DIMENSIONS: <input type="checkbox"/> mm <input type="checkbox"/> INCH <input checked="" type="checkbox"/> mm ONLY		SHT REV									
A		O		FINISH 仕上げ //		WIRE RANGE 適用電線範囲 //		INS. RANGE 被覆外径 //		10 UNDER 未満 ±0.2		10 OVER 以上 30 UNDER 未満 ±0.25		30 OVER 以上 ±0.3		ANGLE 角度 ±3°		DRAWN BY & DATE M. NABEI '03/12/15		CHECKED BY & DATE M. SASAO '03/12/15		APPROVED BY & DATE M. SASAO '03/12/15		CAD FILENAME SD-54132-061.S01		TITLE: EMBOSSSED TAPE PACKAGE FOR 0.5 FPC CONN. ZIF -LEAD FREE-		MATERIAL NO. SEE CHART		DRAWING NO. SD-54132-061		SHEET NO. 1 OF 2	
THIS DRAWING CONTAINS INFORMATION THAT IS PROPRIETARY TO MOLEX INCORPORATED AND SHOULD NOT BE USED WITHOUT WRITTEN PERMISSION.																				SIZE B													

DWG. NO.  
SD-54132-061



SECT:Y-Y



44	49.4	45.4	30.8	31.6	26.1	29.6	54132-5097	50		
			28.3	29.4	23.6	27.1	-4597	45		
			27.3	28.4	22.6	26.1	-4397	43		
			25.8	26.9	21.1	24.6	-4097	40		
			24.8	25.9	20.1	23.6	-3897	38		
			23.8	24.9	19.1	22.6	-3697	36		
			23.3	24.4	18.6	22.1	-3597	35		
			22.8	23.9	18.1	21.6	-3497	34		
			22.3	23.4	17.6	21.1	-3397	33		
			21.8	22.9	17.1	20.6	-3297	32		
20.8	21.9	16.1	19.6	54132-3097	30					
キャリアテープ幅 CARRIER TAPE WIDTH			F	E	D	C	B	A	ENG. NO.	CKT.

DO NOT SCALE DRAWING

EC NO. DRWN: CH'K: APPR:	EC NO. DRWN: CH'K: APPR:	EC NO. DRWN: CH'K: APPR:	REVISED EC NO. J2004-2790 DRWN: H. SHIMABUKURO '04/32 CH'K: M. SASAO '04/32 APPR: M. SASAO '04/32	RELEASED EC NO. J2004-1538 DRWN: M. NABEI '03/12/15 CH'K: M. SASAO '03/12/15 APPR: M. SASAO '03/12/15	DESCRIPTION	MATERIAL 材料	GENERAL TOLERANCES: (UNLESS SPECIFIED) 一般公差	SCALE —//—	DESIGN UNITS <input checked="" type="checkbox"/> mm <input type="checkbox"/> INCH	MODEL NO. 54132-***97	DIMENSIONS: <input type="checkbox"/> mm <input type="checkbox"/> INCH <input checked="" type="checkbox"/> mm ONLY	SHT REV	
			A	O	SHEET 1 OF 2 参照 REFER TO SHEET 1 OF 2	FINISH 仕上げ	10 UNDER 未満	±0.2	DRAWN BY & DATE M. NABEI '03/12/15	TITLE: EMBOSSSED TAPE PACKAGE FOR 0.5 FPC CONN. ZIF -LEAD FREE-	<input type="checkbox"/> mm <input type="checkbox"/> INCH <input checked="" type="checkbox"/> mm ONLY	REVISE ON CAD ONLY	
					WIRE RANGE 適用電線範囲	ANGLE 角度	10 OVER 以上	30 UNDER 未満	±0.25	CHECKED BY & DATE M. SASAO '03/12/15	<b>MOLEX INCORPORATED</b>		
					INS. RANGE 被覆外径		30 OVER 以上		±0.3	APPROVED BY & DATE M. SASAO '03/12/15	MATERIAL NO. SEE CHART	DRAWING NO. SD-54132-061	SHEET NO. 2 OF 2
									±3°	CAD FILENAME SD-54132-061.S02	DRAWING NO. SD-54132-061	SHEET NO. 2 OF 2	

THIS DRAWING CONTAINS INFORMATION THAT IS PROPRIETARY TO MOLEX INCORPORATED AND SHOULD NOT BE USED WITHOUT WRITTEN PERMISSION.

SIZE B

SD-54132-061.S02